

Introducing the TDT530 Series Temperature Switch.

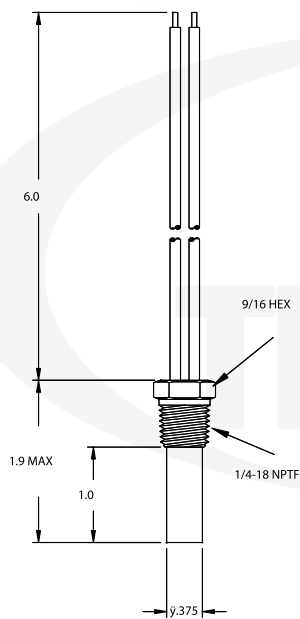


SERIES: TDT530

FEATURES

- Bi - Metal Immersion
 - Temperature Switch
 - Factory Preset Temperature
 - Nema 4, 13
 - Direct Action Contacts
 - Minimum Hysteresis
 - Gold Diffused, Fine Silver Contacts
- For Use In Low Voltage / Low
Current Applications

DIMENSIONS



Dimensions In Inches And Are Reference Only.

SPECIFICATIONS

Set Point Range	40° - 300° F
Set Point Tolerance	±5° F
Max Temperature	-65°F to 325°F
Current Rating	3 AMP at 240 VAC 2 AMP at 24 VDC (Resistive)
Probe Length	1.5", 1" or 0.5" (1" standard)
Media Connection	See Ordering Code
Circuit Form	SPST-NO or SPST-NC
Electrical Connection	6 " Wire Leads
Maximum External Pressure	5000 PSI

ORDERING

Series	Probe Length	Media Connection	Circuit Type	Fixed Set Point	Setting Direction	Electrical Connection
TDT530	1	3	A	100	R	W
TDT530	1 = 1.0" (Stock) 2 = 0.5" 3 = 1.5" **	2 = 3/8" NPT 3 = 1/4" NPT 6 = 1/2" NPT 7 = M16x1.5 **	A= SPST-NO B= SPST-NC	40°F - 300°F (In 10° increments)	R= Rising F= Falling	W= 6" Wire Leads B= 1/4" Blade Connection T= Screw Terminals WP=Weather Pack

*Contact factory for additional optional/custom modifications.