

The TD141 Series In Cylinder Position Transducer.



SERIES:TD141

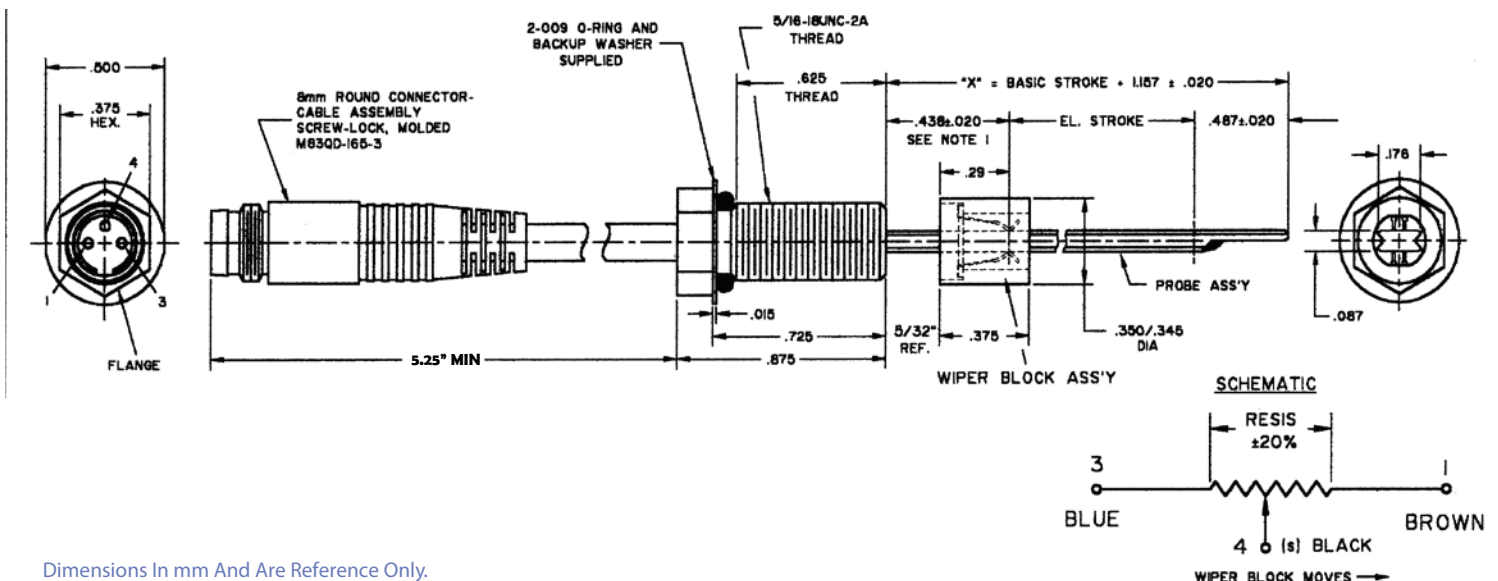
FEATURES

- Low Cost
- Compact
- Metal Header
- 2mA Max Cursor Current, 28 VDC Max Voltage
- 120psi Max Pressure

SPECIFICATIONS

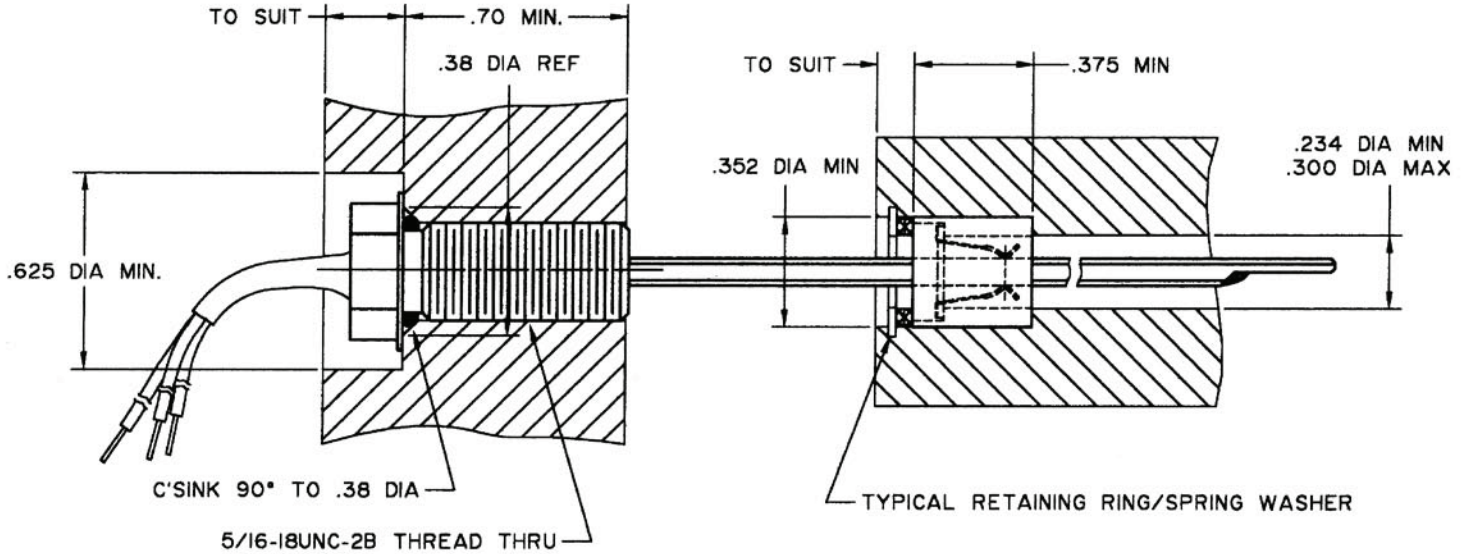
Resistance	1.0K OHM/INCH $\pm 20\%$
Linearity	$\pm 1.0\%$ IND
Basic Stroke	1" to 24"
Electrical Stroke	Basic Stroke + 0.232" ± 0.005
Mechanical Travel	Electrical Stroke + .040" MIN (each end)
Power Dissipation	1 WATT/INCH @ 25°C
Operating Temperature	-25°C to +100°C
Stroke Velocity	Hydraulic = 20" Per Sec, Pneumatic = 50" Per Sec
Life	Typically Greater Than 10 Million Cycles
Installation torque	11 inch pounds max

DIMENSIONS



Dimensions In mm And Are Reference Only.

INSTALLATION



UNLESS OTHERWISE SPECIFIED DIMENSIONS ARE IN INCHES.

TOLERANCES
 2 PL DECIMALS ± .030
 3 PL DECIMALS ± .010
 FRACTIONS ± .015
 ANGLES ± 2.0°

DEBURR AND BREAK EDGES .005 TO .010.
 FINISH PER MIL-STD-10
 SURFACE ROUGHNESS ✓

Note: Due to the variation and uniqueness of applications and usages, the above information is supplied as a general application guideline. All design interfaces should be engineered for optimal system requirements.

ORDERING

Series Stroke Length

TD141M	1" 22"
	2" 24"
	3" **
	4"
	5"
	6"
	8"
	10"
	12"
	18"
	20"

**= Consult factory for further options.